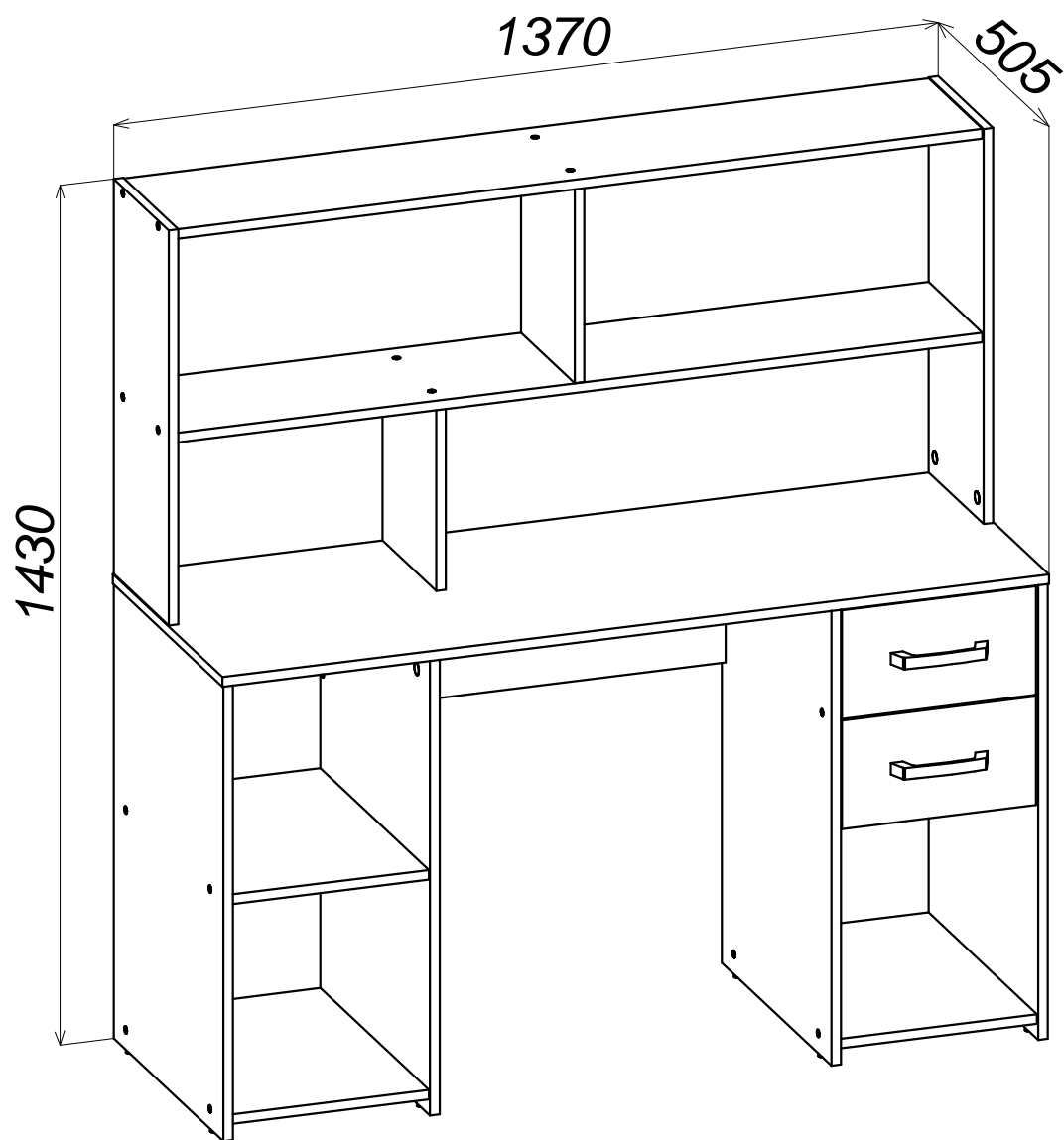
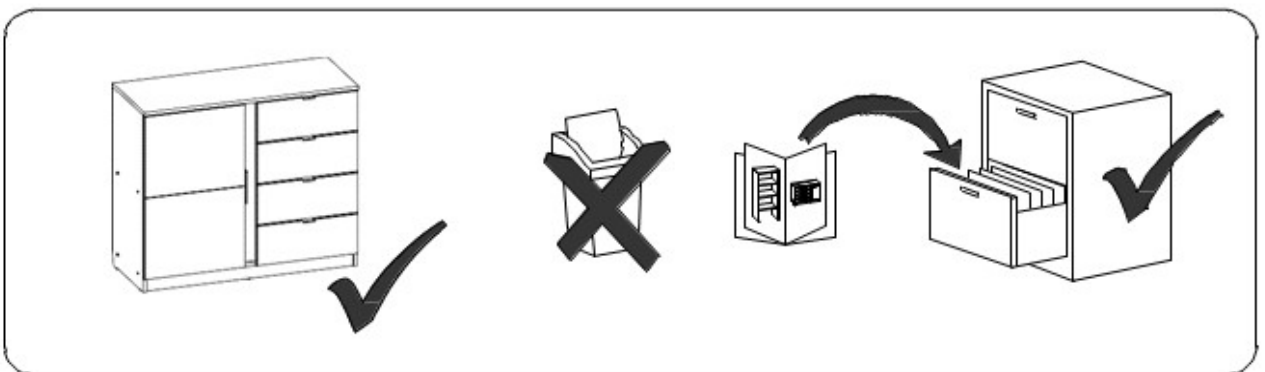
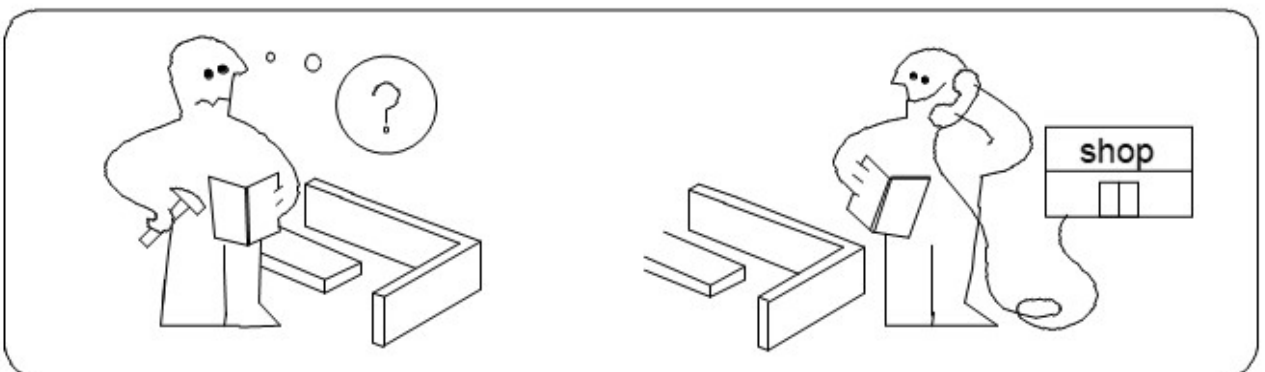
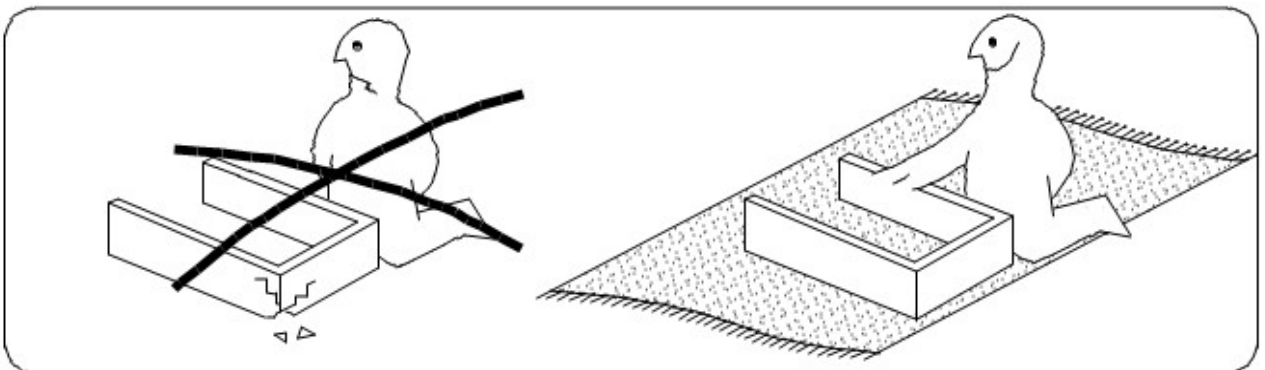
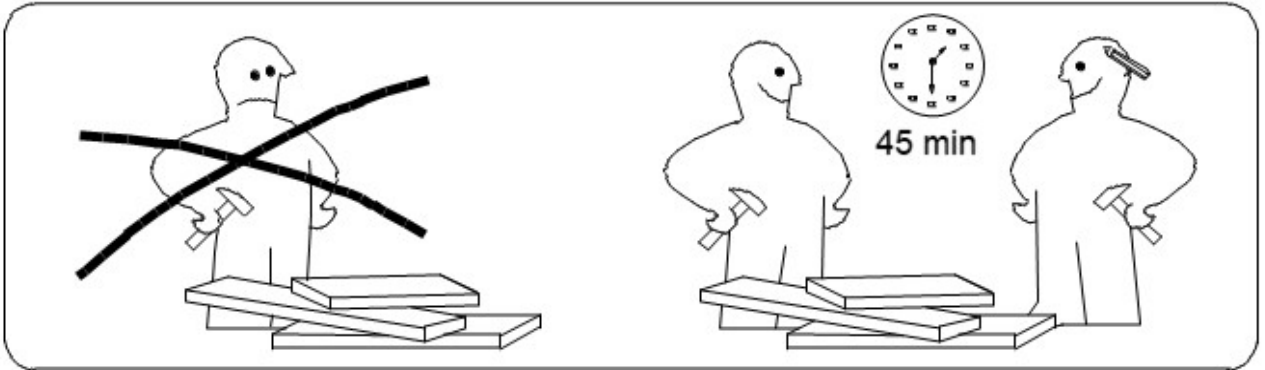
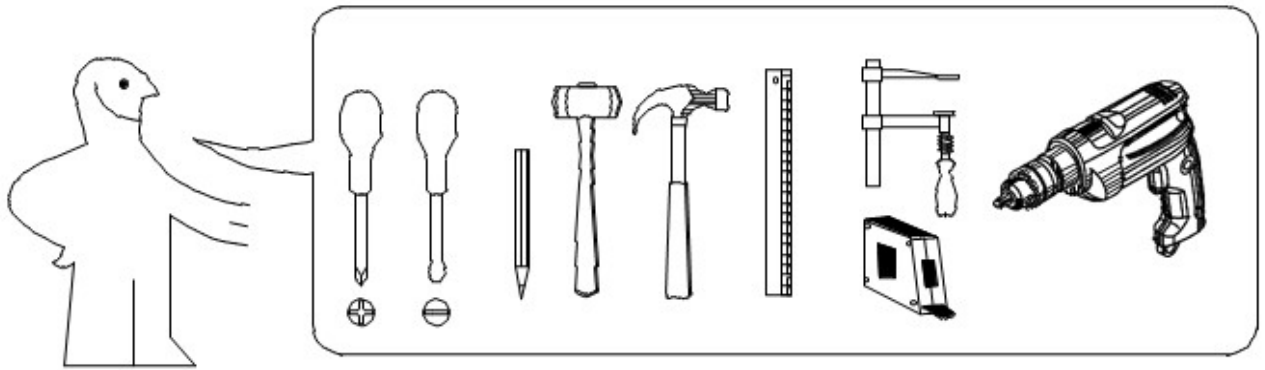
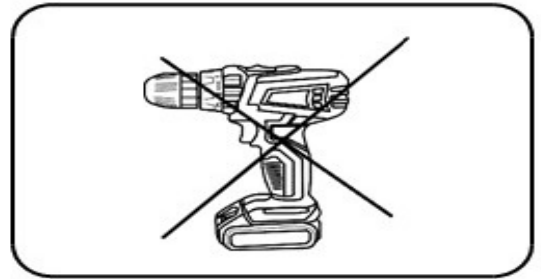
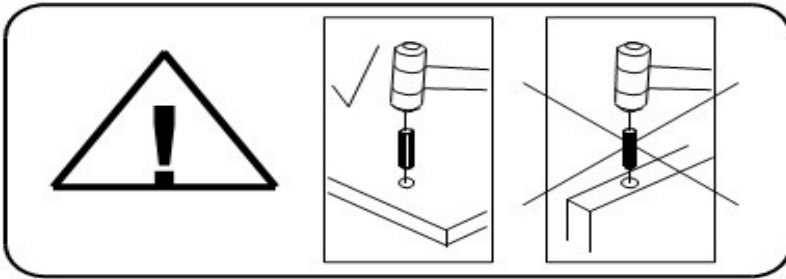

















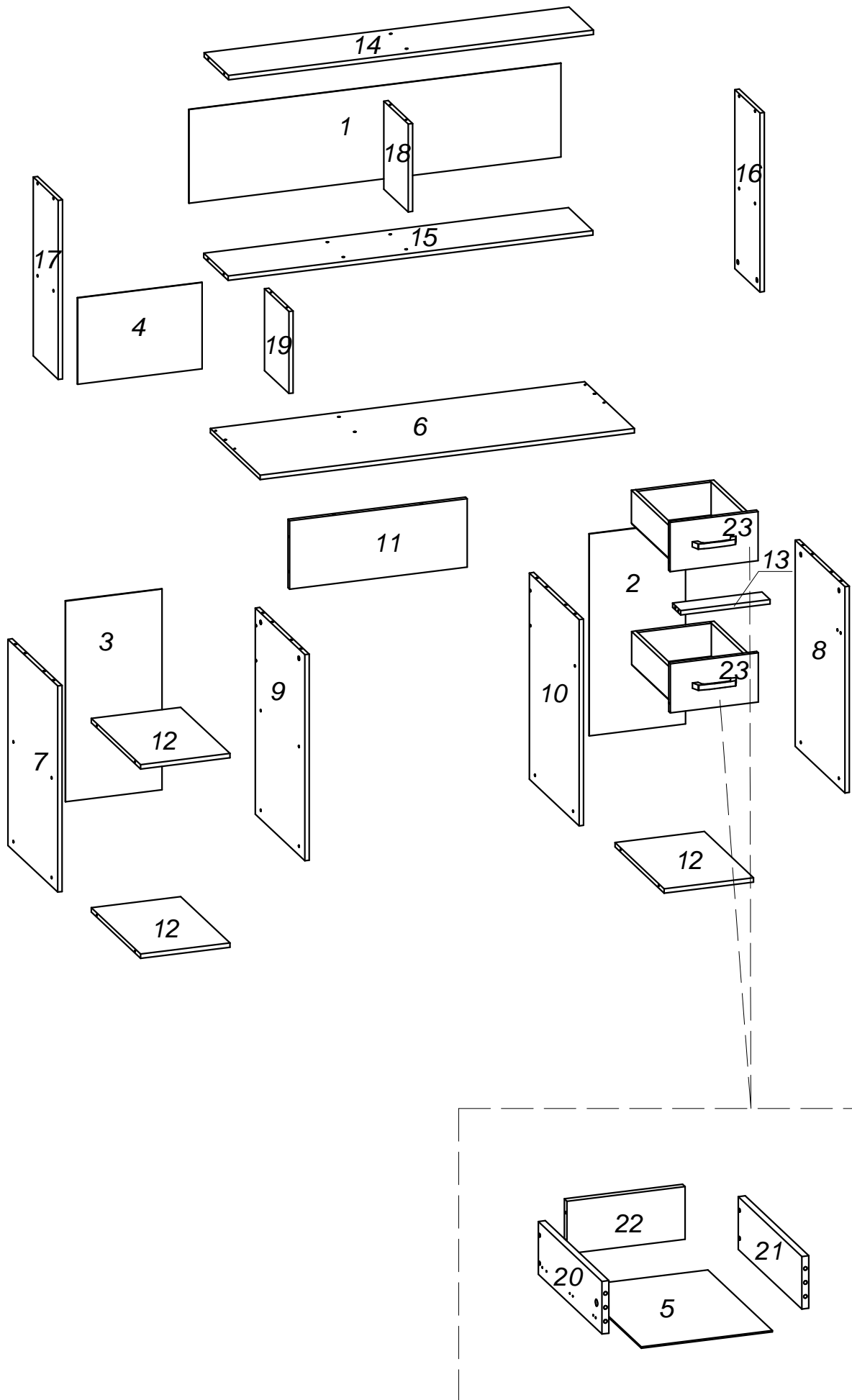
Бюро Адрия



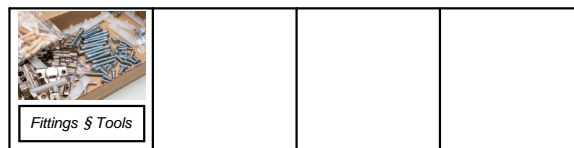
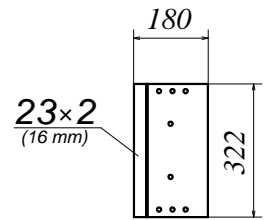
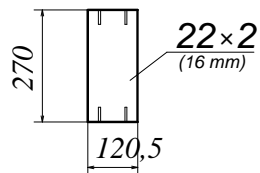
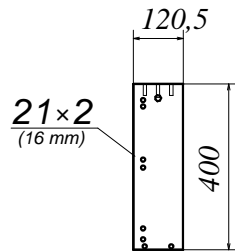
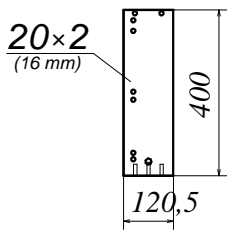
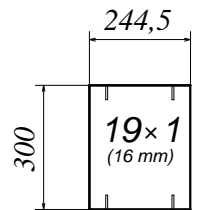
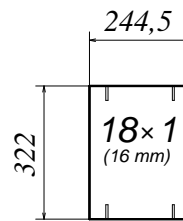
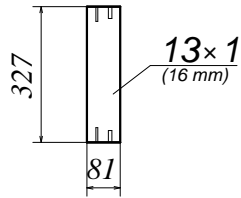
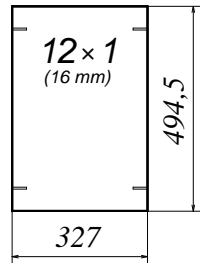
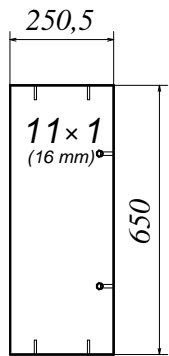
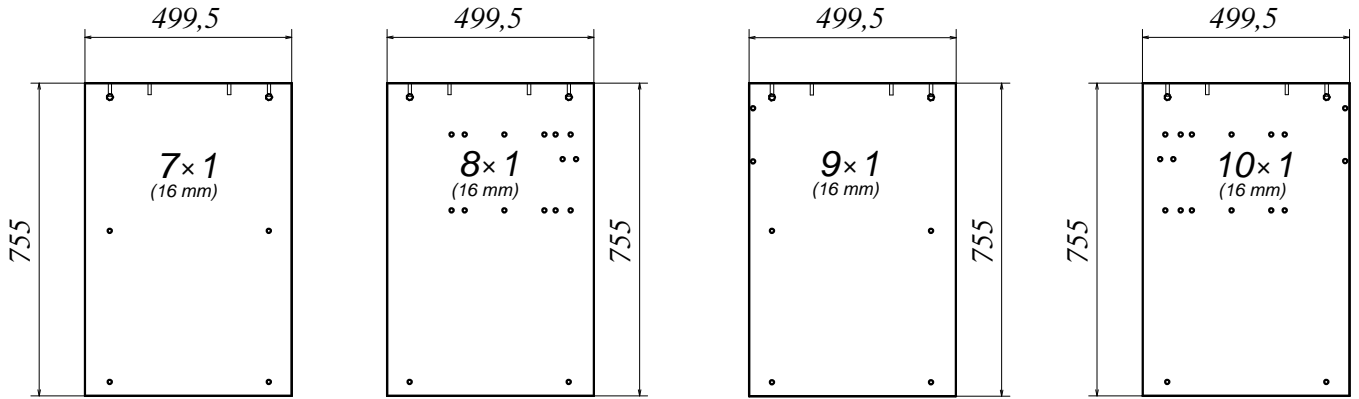




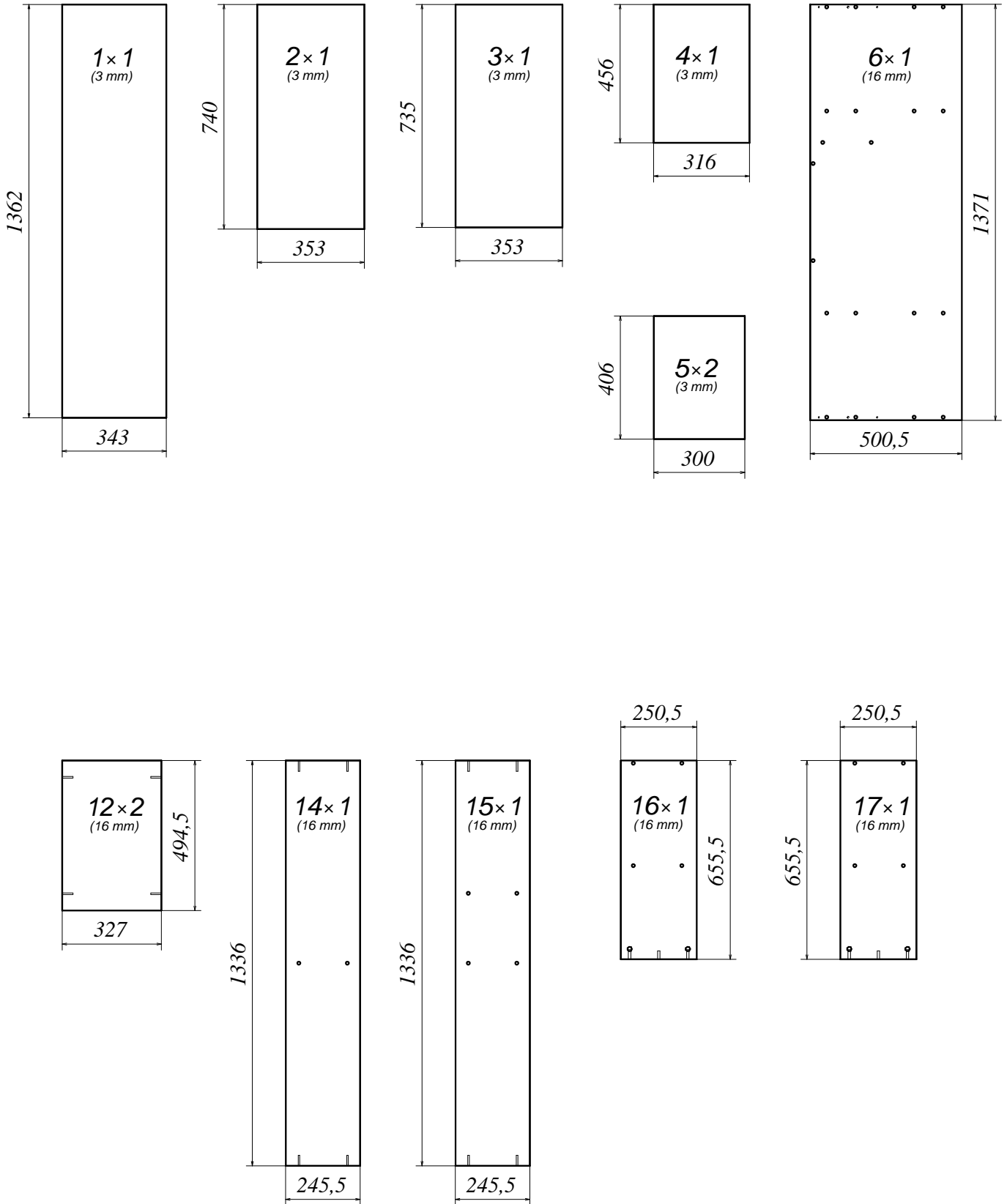
 <p>Ø6,3x50 mm</p> <p>A1 x 42</p>	 <p>Ø12 mm</p> <p>A2 x 42</p>	 <p>4 mm</p> <p>A3 x 1</p>	 <p>Ø15x12 mm</p> <p>B1 x 18</p>	 <p>Ø5x44 mm</p> <p>B2 x 18</p>
 <p>Ø20 mm</p> <p>B3 x 18</p>	 <p>19x14 mm</p> <p>C x 6</p>	 <p>Ø4x16 mm</p> <p>D1 x 24</p>	 <p>Ø4x30 mm</p> <p>D2 x 4</p>	 <p>Ø3x25 mm</p> <p>D3 x 6</p>
 <p>Ø1,6x25 mm</p> <p>F x 132</p>	 <p>Ø8x36 mm</p> <p>G x 20</p>	 <p>H x 2</p>	 <p>400 mm</p> <p>K x 2</p>	 <p>Ø15 mm</p> <p>N x 8</p>









Box 1/2

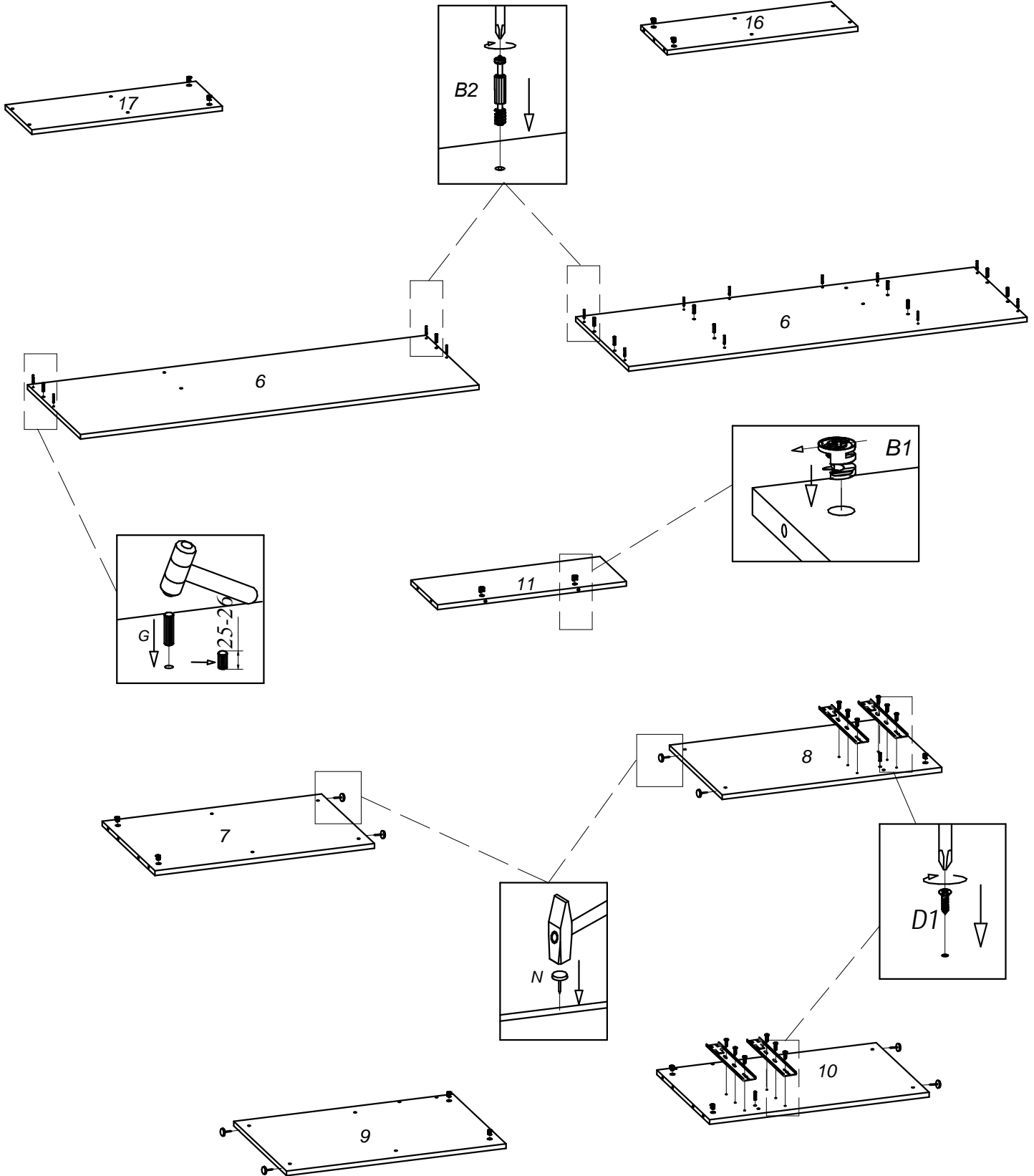


Box 2/2



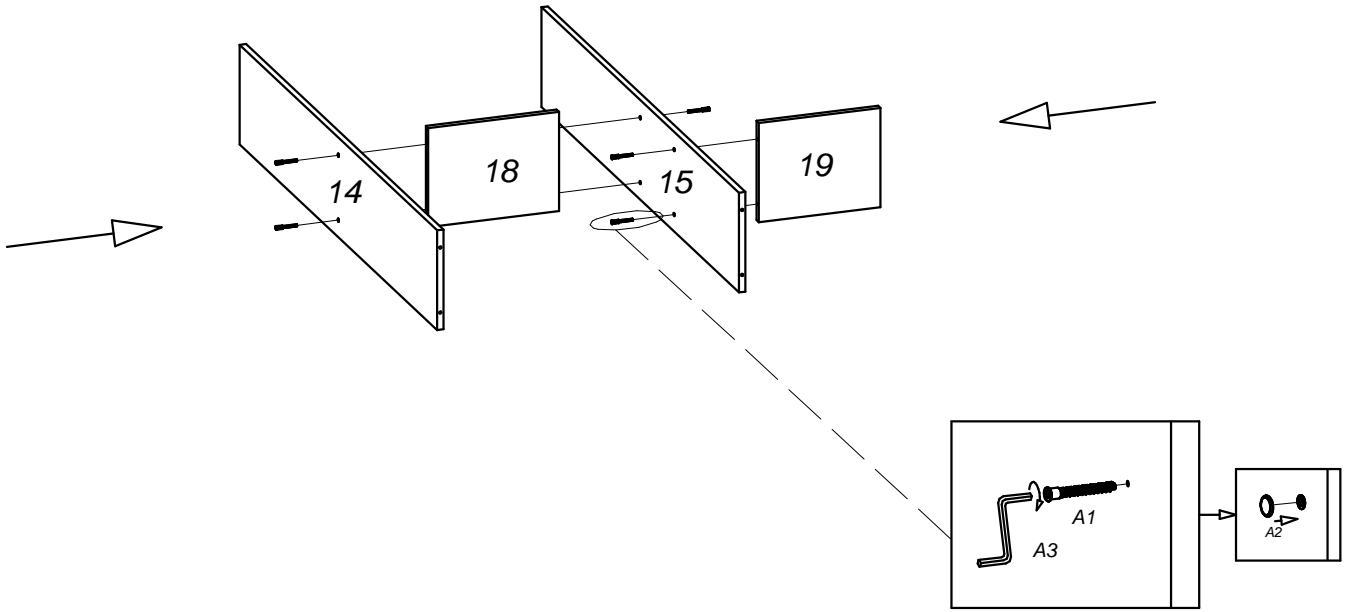
1

 Ø15x12 mm B1 x 14	 Ø5x44 mm B2 x 14	 Ø4x16 mm D x 12	 Ø8x36 mm G x 12	 400 mm K x 2	 Ø15 mm N x 8			
--	---	--	--	---	--	--	--	--






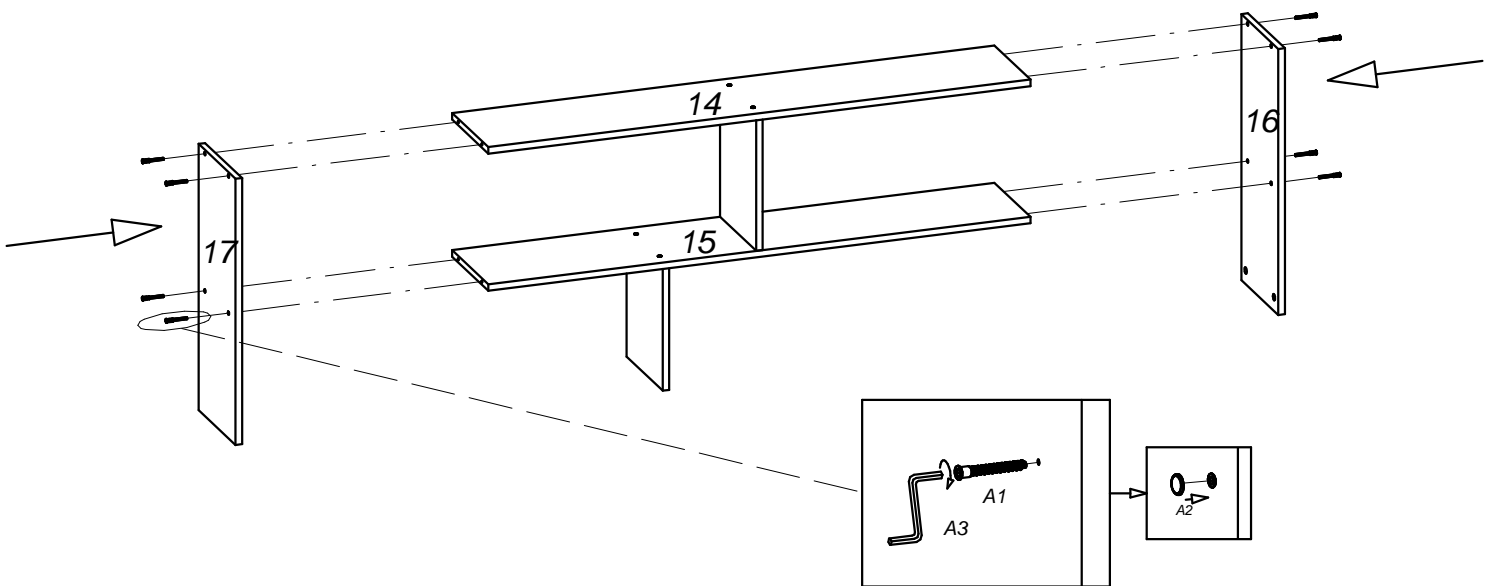
2

 ∅6,3x50 mm A1 x 6	 ∅12 mm A2 x 6	 4 mm A3 x 1						
--	--	--	--	--	--	--	--	--



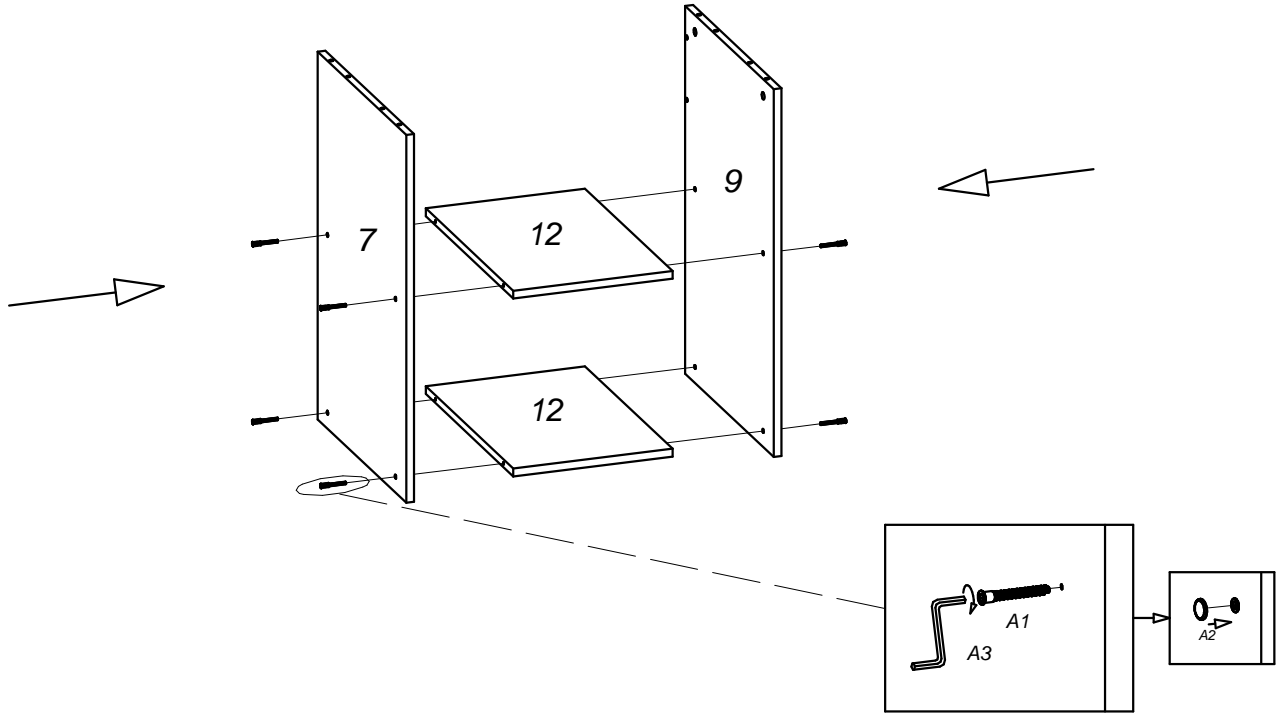
3

 ∅6,3x50 mm A1 x 8	 ∅12 mm A2 x 8	 4 mm A3 x 1						
---	---	---	--	--	--	--	--	--






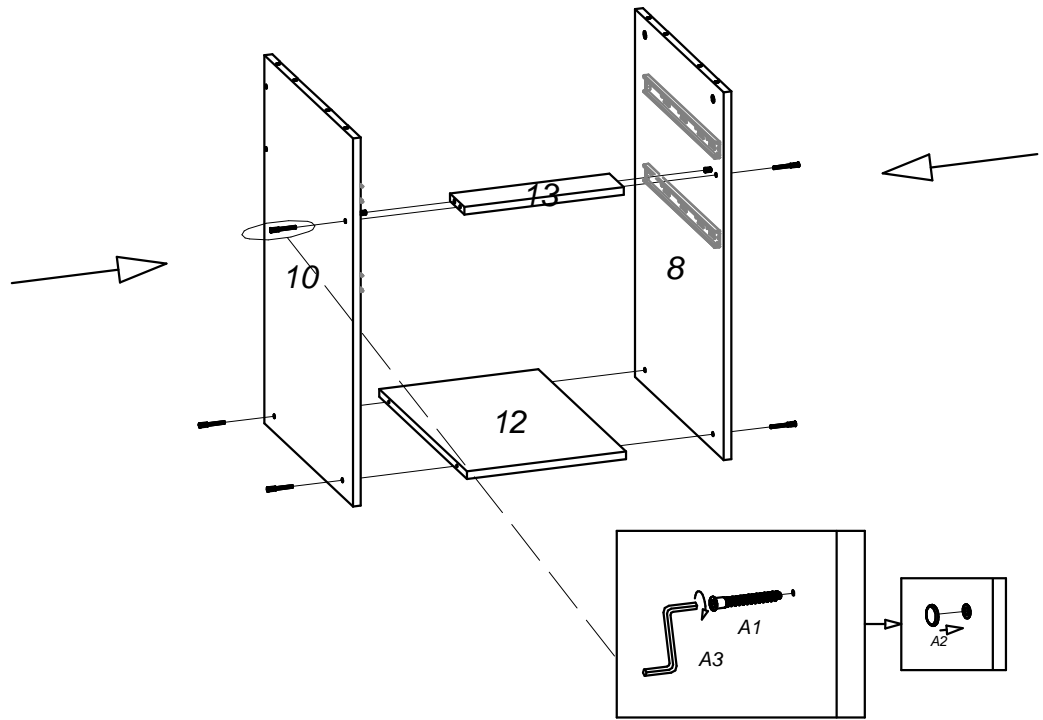
4

 ∅6,3x50 mm A1 x 8	 ∅12 mm A2 x 8	 4 mm A3 x 1						
--	--	--	--	--	--	--	--	--

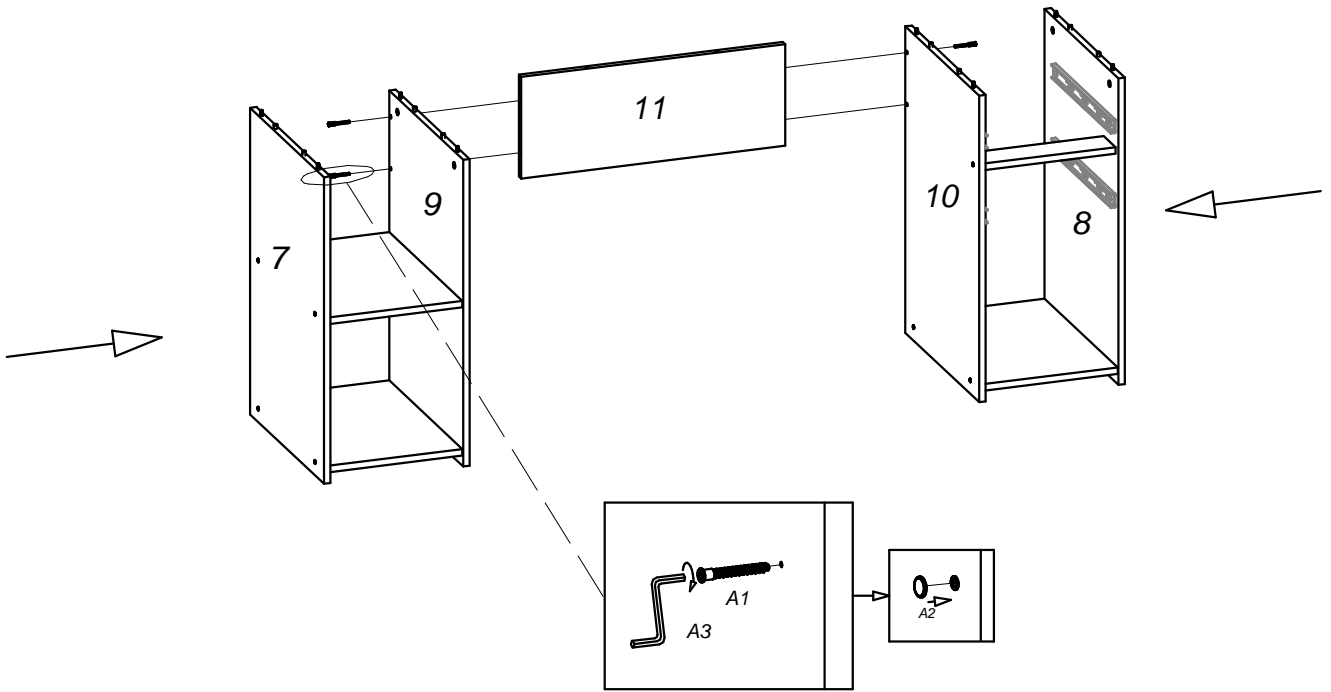
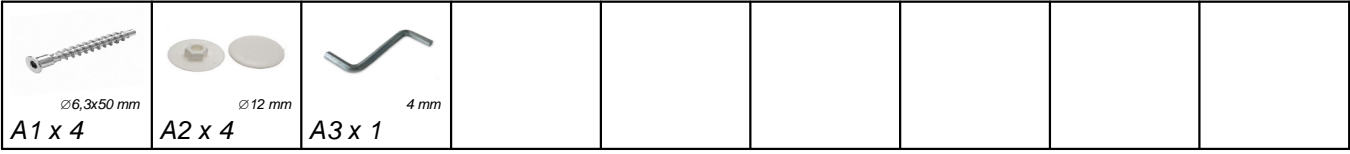


5

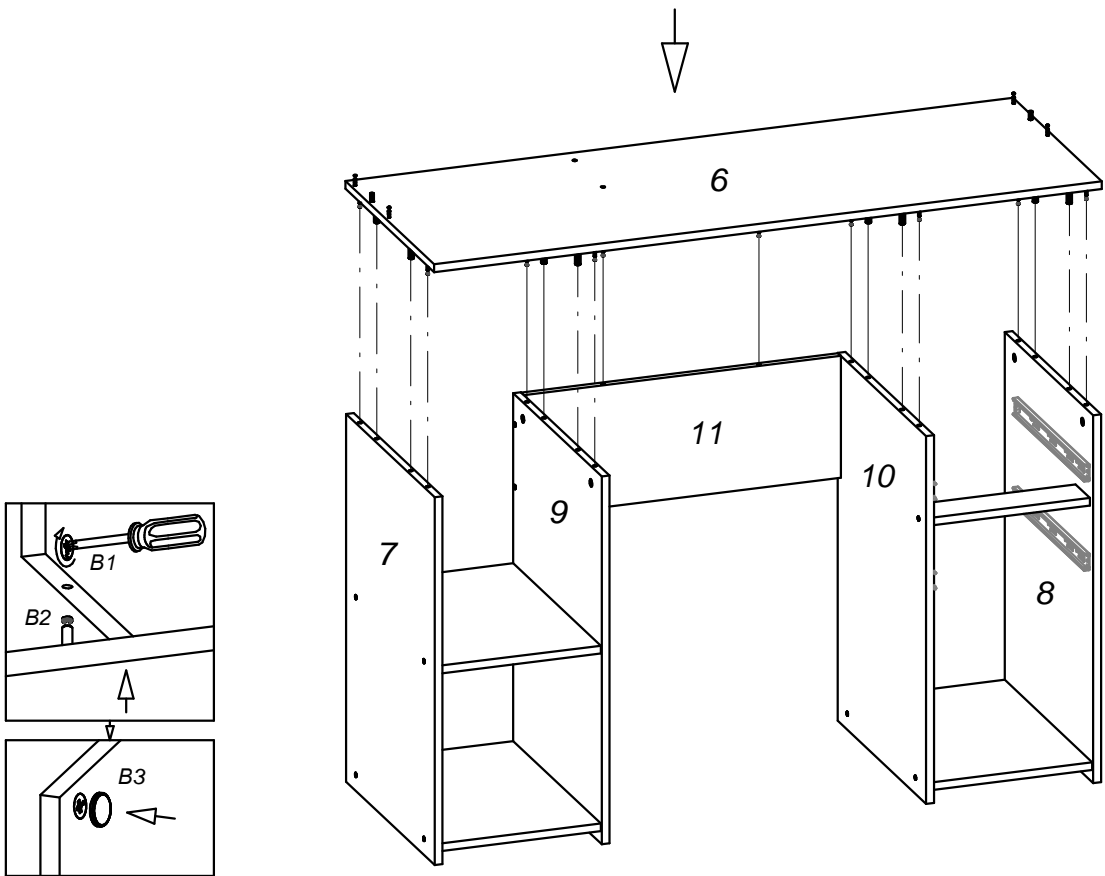
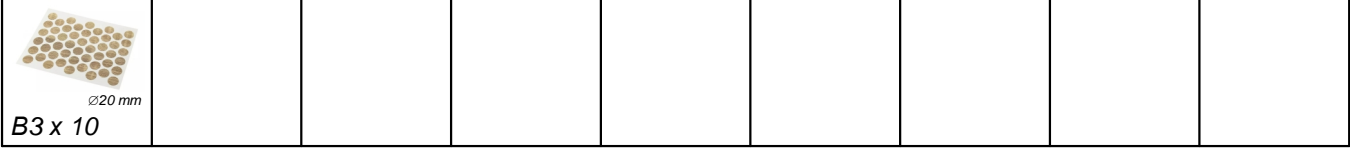
 ∅6,3x50 mm A1 x 6	 ∅12 mm A2 x 6	 4 mm A3 x 1						
---	---	---	--	--	--	--	--	--



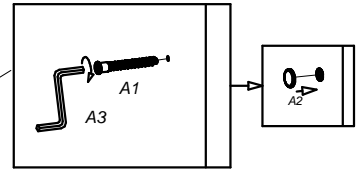
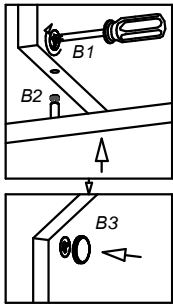
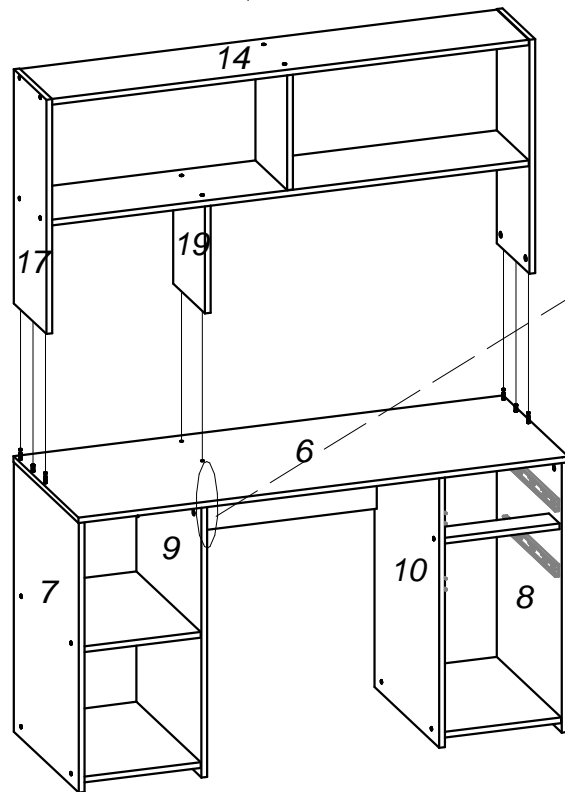
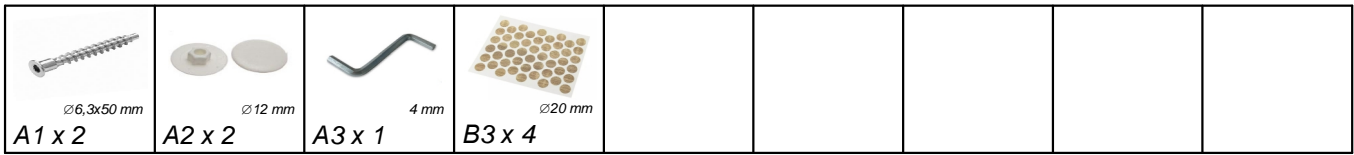
6



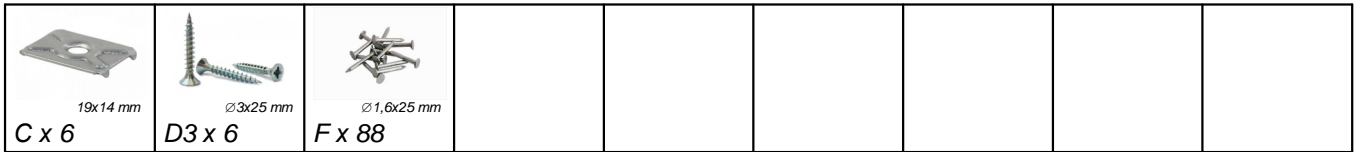
7



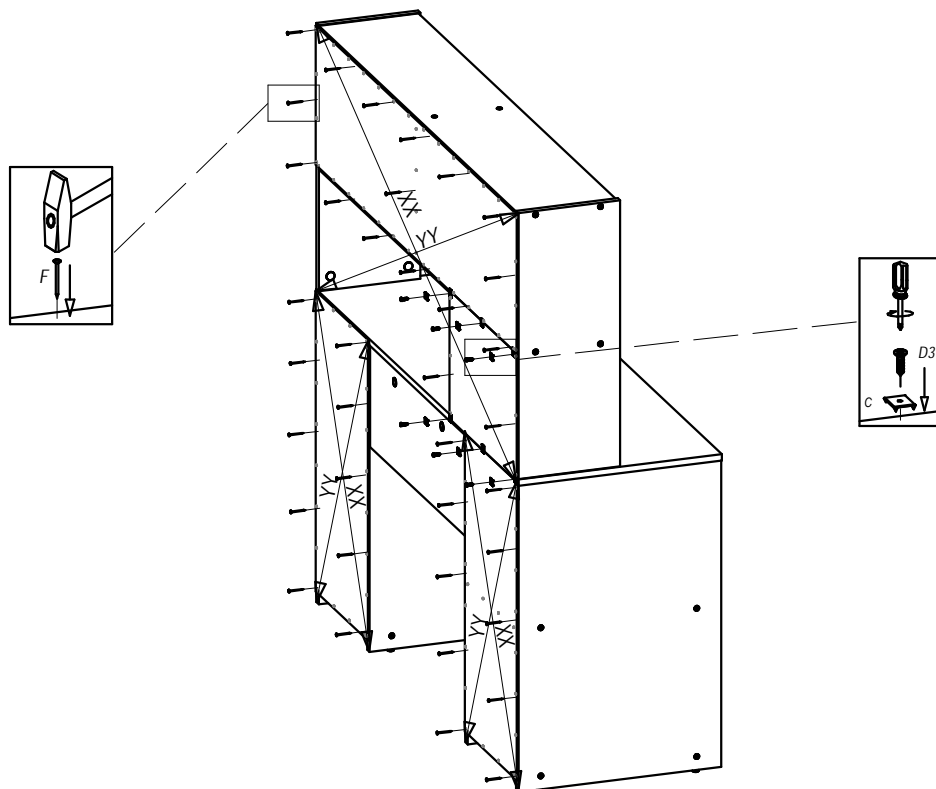
8







9

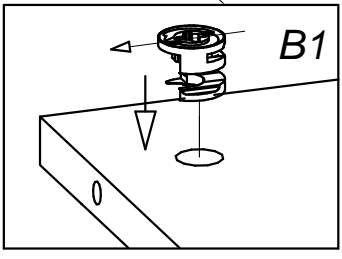
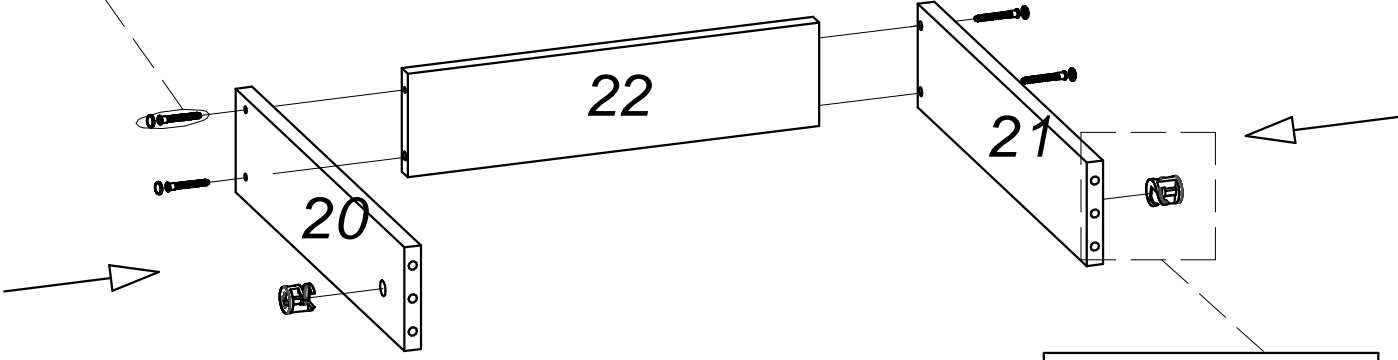
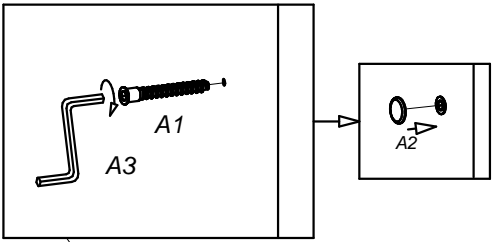


$XX=YY=90^\circ$



10

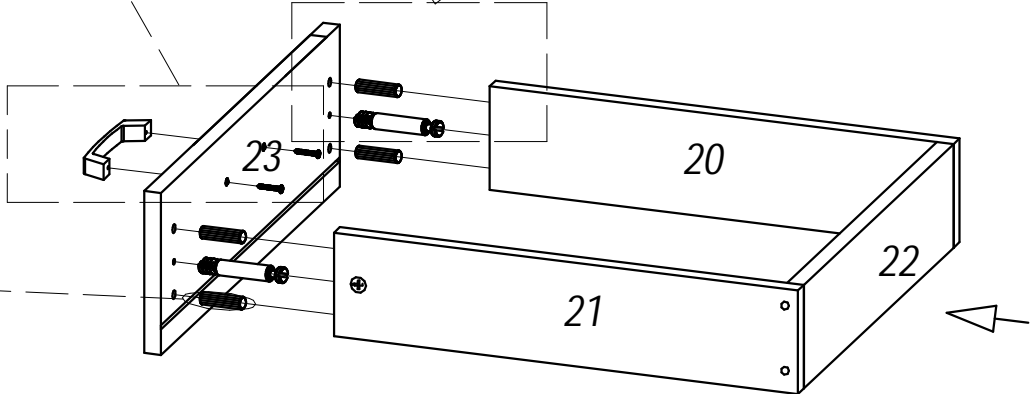
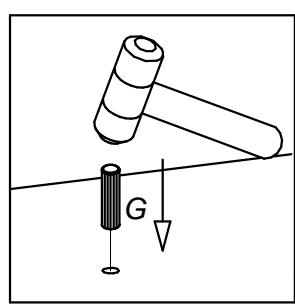
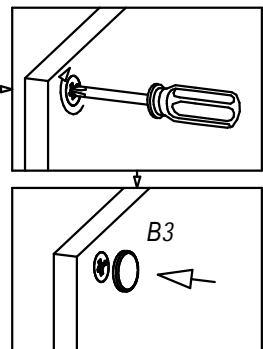
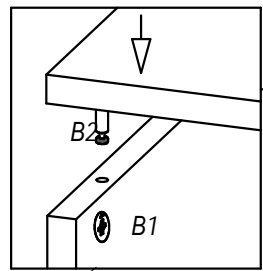
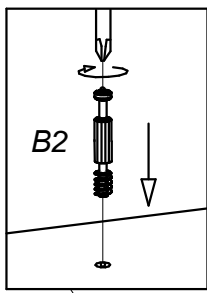
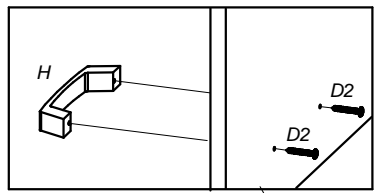
 ∅6,3x50 mm A1 x 8	 ∅12 mm A2 x 8	 4 mm A3 x 1	 ∅15x12 mm B1 x 4						
--	--	--	---	--	--	--	--	--	--



x 2

11

 ∅5x44 mm B2 x 4	 ∅20 mm B3 x 4	 ∅4x30 mm D2 x 4	 ∅8x36 mm G x 8	 H x 2					
---	---	---	--	--	--	--	--	--	--

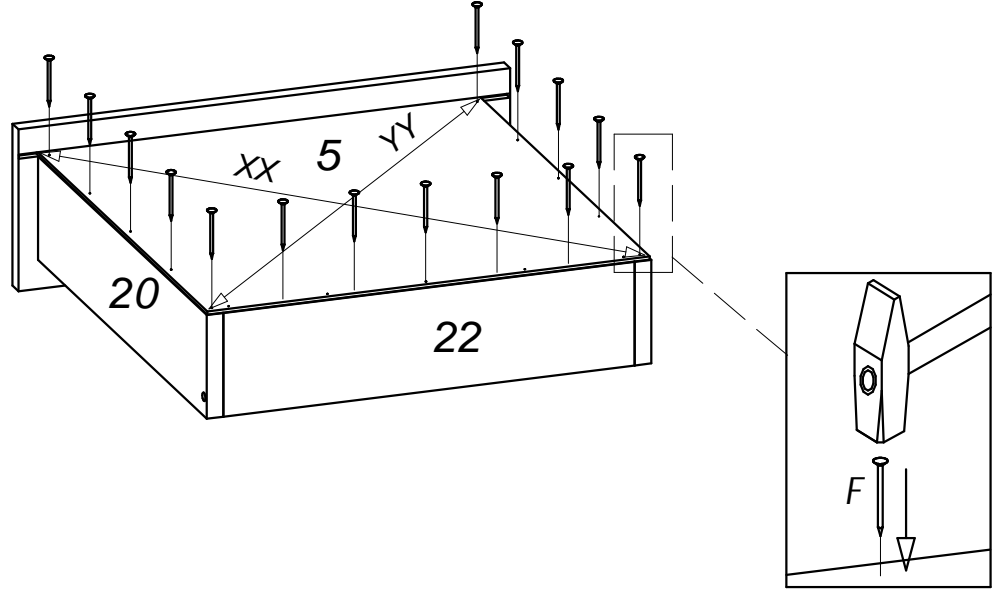


x 2

12

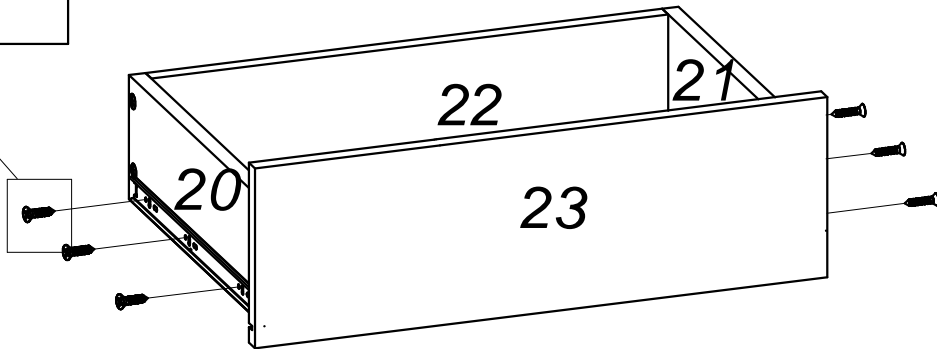
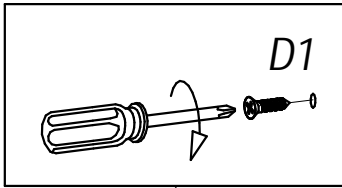
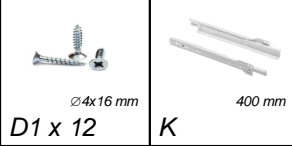


$$XX=YY=90^\circ$$



x 2

13



x 2

14

